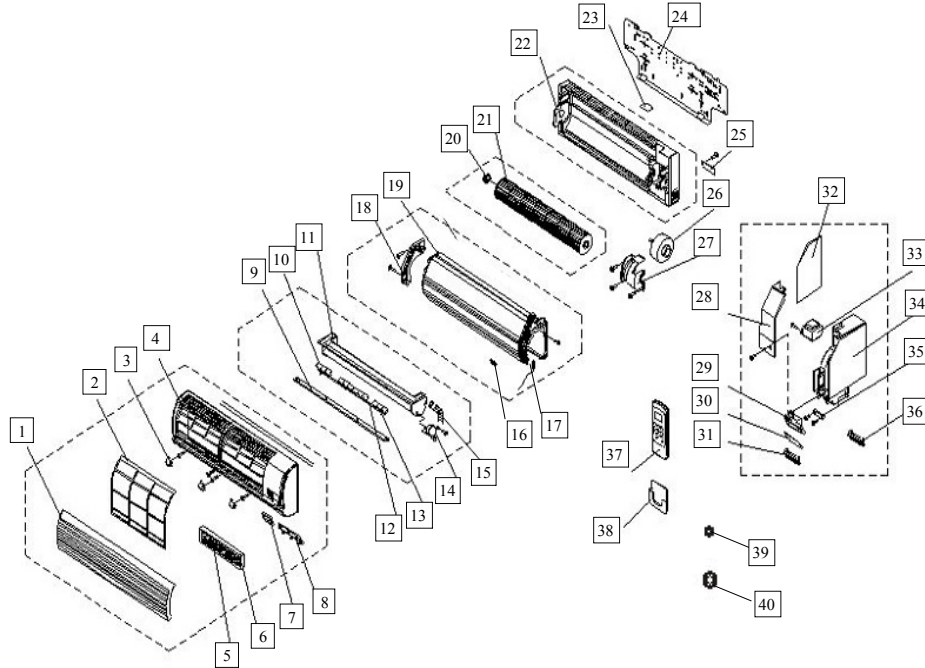
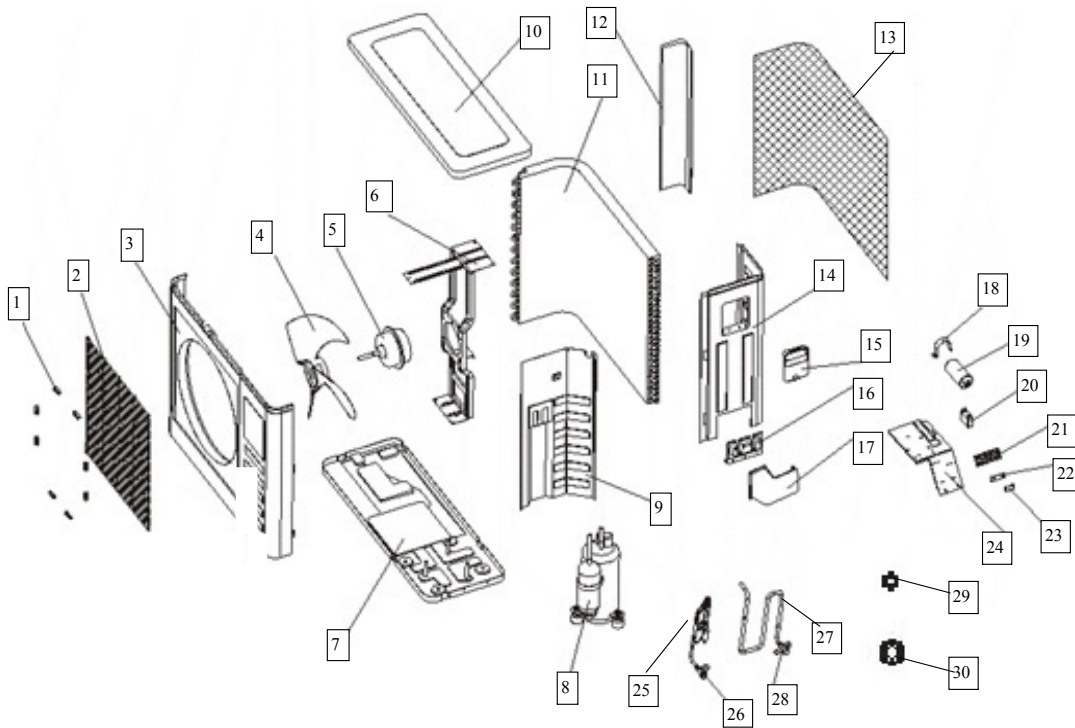


Exploded View Parts for Model : 42KCE009708 220-240V~,50Hz :Indoor Unit



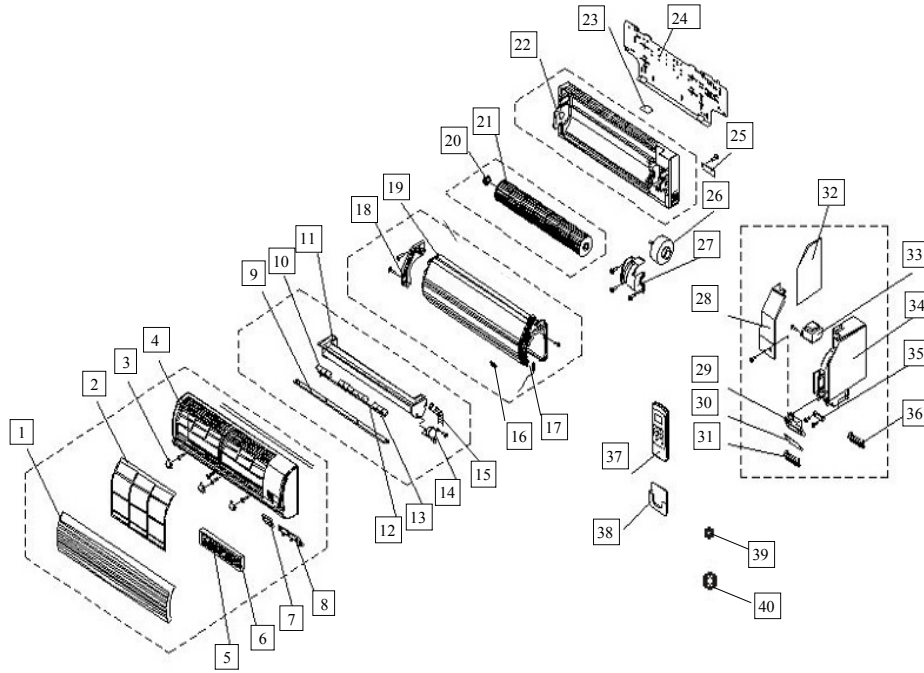
No.	Part Name	Quantity	Sale code	BOM code	Remark
1	Front Panel	1	10309121201	2113139044	
2	Air Filter	2	10309121202	2113010221	
3	Screw cap	3	10309121203	2113010218	
4	Panel frame	1	10309121204	2113139050	
5	Air cleaner	1	10109121226	2113010212	
6	Air cleaner holder	1	10109121225	2113010217	
7	Window for receiver	1	10309121207	2113010228	
8	Indicator for LED	1	10309121208	2113010220	
9	Horizontal louver	1	10309121209	2113010224	
10	Vertical louver	12	10309121210	2113010227	
11	Air out frame	1	10309121211	2113010223	
12	Louver holder	1	10309121212	2113010241	
13	Louver rocker	1	10309121213	2113010226	
	Rocker gasket	1	10309121214	2273010203	
14	Louver motor	1	10121121218	2240020006	
15	Drain hose	1	31607111010	2113000011	
16	Indoor temp sensor	1	10109121243	2243069052	
17	Evaporator temp sensor	1	10109121242	2243069051	
18	Left holder for evaporator	1	13008111007	2113012126	
19	Evaporator	1	10309121218	2153010455	
20	Bearing holder	1	10309121220	2273010201	
21	Cross flow fan, assy	1	10309121221	2113010219	
22	Chassis	1	10309121222	2113010222	
23	Back cover for chassis	1	10309121223	2113010216	
24	Installation Plate	1	10909121002	2123141702	
25	Connecting pipe clamp	1	10309121225	2113010204	
26	Fan motor	1	10309121226	2240030005	
27	Motor cover	1	10309121227	2113010203	
28	E-part box cover	1	13007111003	2113019182	
29	Indicator holder	1	10309121229	2113010207	
30	Display board , Ass'y	1	10407111002	2133139126	
31	Display board enclosure	1	10309121231	2113010208	
32	Main control board	1	10309111001	2133139128	
33	Transformer	1	10718121006	2230090029	
34	E-Parts box	1	10318121019	2113019237	
35	Wire clamp	1	10112121234	2113521303	
36	Wire joint, 5p	1	10505111020	2243019081	
37	Remote Controller	1	10109111203	2335509005	
38	Holder, Remote Controller	1	10109121208	2115501001	
39	Copper nut, TLM-A01	1	10909121012	2160032000	
40	Copper nut, TLM-B02	1	10909121013	2160032001	

Exploded View Parts for Model 38KCE009709 220--240V,50Hz : Outdoor Unit



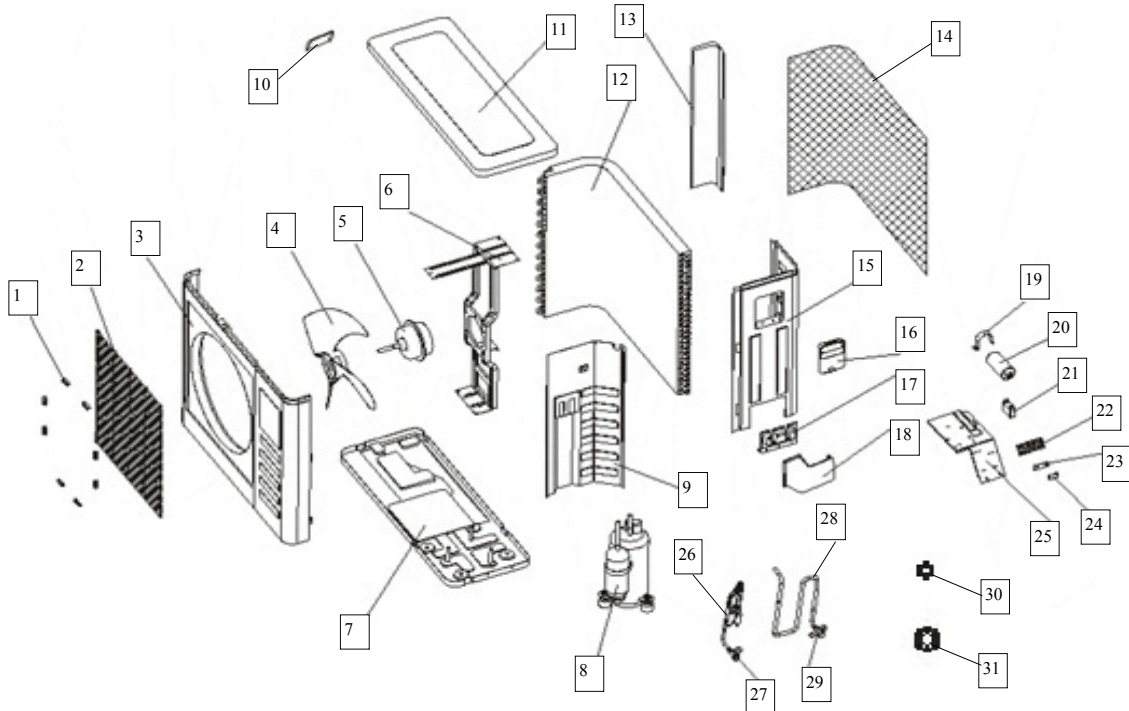
No.	Part Name	Quantity	Sale code	BOM code	Remark
1	Clamp for front net	6	10112121801	2113511801	
2	Front net	1	10109121801	2123510023	
3	Front clapboard	1	11609121803	2123519043	
4	Propeller fan	1	10109121804	2110031603	
5	Fan motor	1	20407111802	2240040434	
6	Holder for fan motor	1	13709121002	2123512656	
7	Chassis	1	10309111801	2123512612	
8	Compressor	1	10309111802	2140061860	PH165X1CY-4DG2
9	Separating board	1	13008111803	2123512640	
10	Cover	1	11609121807	2123512649	
11	Condenser	1	10309111803	2153512710	
12	Installation board , left	1	11609121804	2123512651	
13	Rear net	1	11609121808	2113512601	
14	Right clapboard	1	11607111801	2123529050	
15	Big handle	1	10109121817	2113510003	
16	Installation plate for valves	1	10309121809	2123512614	
17	Water collector	1	10109121815	2113520951	
18	Capacitor clamp	1	10109121822	2120010005	
19	Compressor capacitor	1	10309121820	2240100402	
20	Fan motor capacitor	1	10112121815	2240119014	
21	Wire joint	1	10109111802	2230145014	
22	Washer for wire joint	1	10112121817	2113500004	
23	Clamp for wiring	1	10718121809	2123000001	
24	Installation board for E-parts	1	10309121279	2123512504	
25	High Pressure Valve Ass'y	1	10309111805	2163512731	
26	Liquid pipe valve	1	10309121811	2160074018	
27	Low pressure Valve Ass'y	1	10309111806	2163512733	
28	Low-pressure Valve	1	10309121810	2160072013	
29	Copper nut, TLM-A01	1	10909121012	2160032000	
30	Copper nut, TLM-B02	1	10909121013	2160032001	

Exploded View Parts for Model : 42KCE012708 220-240V~,50Hz :Indoor Unit



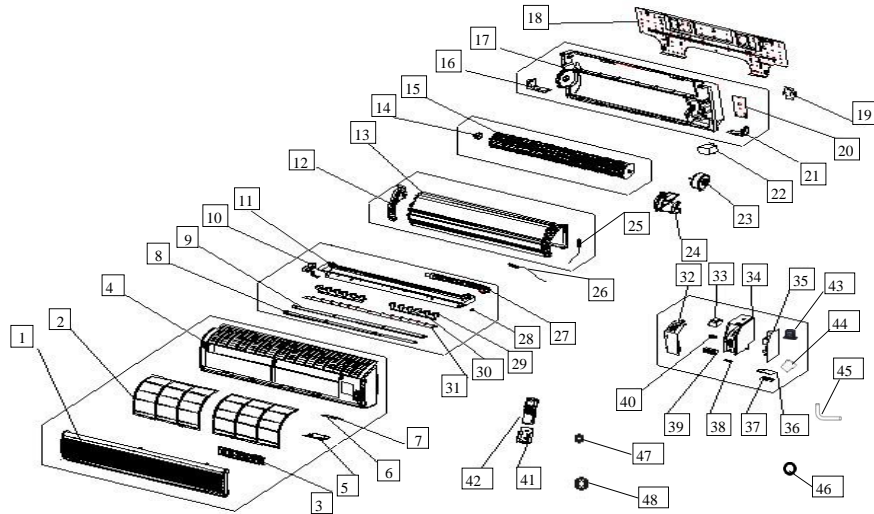
No.	Part Name	Quantity	Sale code	BOM code	Remark
1	Front Panel	1	10309121201	2113139044	
2	Air Filter	2	10309121202	2113010221	
3	Screw cap	3	10309121203	2113010218	
4	Panel frame	1	10309121204	2113139050	
5	Air cleaner	1	10109121226	2113010212	
6	Air cleaner holder	1	10109121225	2113010217	
7	Window for receiver	1	10309121207	2113010228	
8	Indicator for LED	1	10309121208	2113010220	
9	Horizontal louver	1	10309121209	2113010224	
10	Vertical louver	12	10309121210	2113010227	
11	Air out frame	1	10309121211	2113010223	
12	Louver holder	1	10309121212	2113010241	
13	Louver rocker	1	10309121213	2113010226	
	Rocker gasket	1	10309121214	2273010203	
14	Louver motor	1	10121121218	2240020006	
15	Drain hose	1	31607111010	2113000011	
16	Indoor temp sensor	1	10109121243	2243069052	
17	Evaporator temp sensor	1	10109121242	2243069051	
18	Left holder for evaporator	1	13008111007	2113012126	
19	Evaporator	1	13012111001	2153031399	
20	Bearing holder	1	10309121220	2273010201	
21	Cross flow fan, assy	1	10309121221	2113010219	
22	Chassis	1	10309121222	2113010222	
23	Back cover for chassis	1	10309121223	2113010216	
24	Installation Plate	1	10909121002	2123141702	
25	Connecting pipe clamp	1	10309121225	2113010204	
26	Fan motor	1	10309121226	2240030005	
27	Motor cover	1	10309121227	2113010203	
28	E-part box cover	1	13007111003	2113019182	
29	Indicator holder	1	10309121229	2113010207	
30	Display board , Ass'y	1	10407111002	2133139126	
31	Display board enclosure	1	10309121231	2113010208	
32	Main control board	1	10312111001	2133139130	
33	Transformer	1	10718121006	2230090029	
34	E-Parts box	1	10318121019	2113019237	
35	Wire clamp	1	10112121234	2113521303	
36	Wire joint, 5p	1	10505111020	2243019081	
37	Remote Controller	1	10109111203	2335509005	
38	Holder, Remote Controller	1	10109121208	2115501001	
39	Copper nut, TLM-A01	1	10909121012	2160032000	
40	Copper nut, TLM-C03	1	10912121019	2160032002	

Exploded View Parts for Model 38KCE012708 220--240V,50Hz : Outdoor Unit



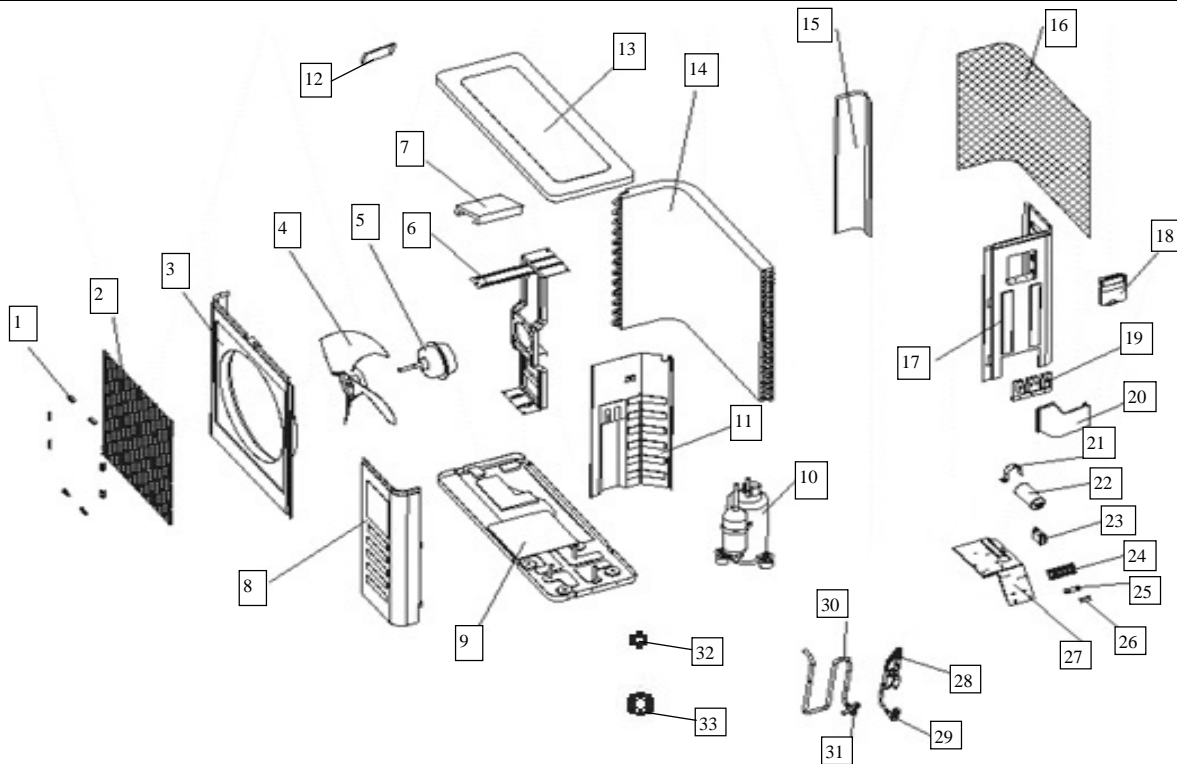
No.	Part Name	Quantity	Sale code	BOM code	Remark
1	Clamp for front net	6	10112121801	2113511801	
2	Front net	1	10109121801	2123510023	
3	Front clapboard	1	13012111801	2123525264	
4	Propeller fan	1	10112121803	2110030502	
5	Fan motor	1	10112111801	2240040355	
6	Holder for fan motor	1	13012111802	2123525212	
7	Chassis	1	11612121801	2123525216	
8	Compressor	1	10112111805	2140061371	PH200X2C-4FT
9	Separating board	1	10116113813	2123525227	
10	Small Handle	1	10830121811	2115029006	
11	Cover	1	13012111805	2123525265	
12	Condenser	1	10312111811	2153526710	
13	Installation board , left	1	13012111803	2123525267	
14	Rear net	1	13518111035	2113522361	
15	Right clapboard	1	13012111808	2123529025	
16	Big handle	1	10112121808	2113500005	
17	Installation plate for valves	1	10118113805	2123500018	
18	Water collector	1	10118121832	2113529005	
19	Capacitor clamp	1	10109121822	2120010005	
20	Compressor capacitor	1	10309121820	2240100402	
21	Fan motor capacitor	1	10112121815	2240119014	
22	Wire joint	1	10109111802	2230145014	
23	Washer for wire joint	1	10112121817	2113500004	
24	Clamp for wiring	1	10718121809	2123000001	
25	Installation board for E-parts	1	50512121802	2123526715	
26	High Pressure Valve Ass'y	1	10312111857	2163526708	
27	Liquid pipe valve	1	10118121830	2160074022	
28	Low pressure Valve Ass'y	1	10312111856	2163525355	
29	Low-pressure Valve	1	10312121858	2160072117	
30	Copper nut, TLM-A01	1	10909121012	2160032000	
31	Copper nut, TLM-B02	1	10912121019	2160032002	

Exploded View Parts for Model 42KCE018708 220-240V~,50Hz : Indoor Unit



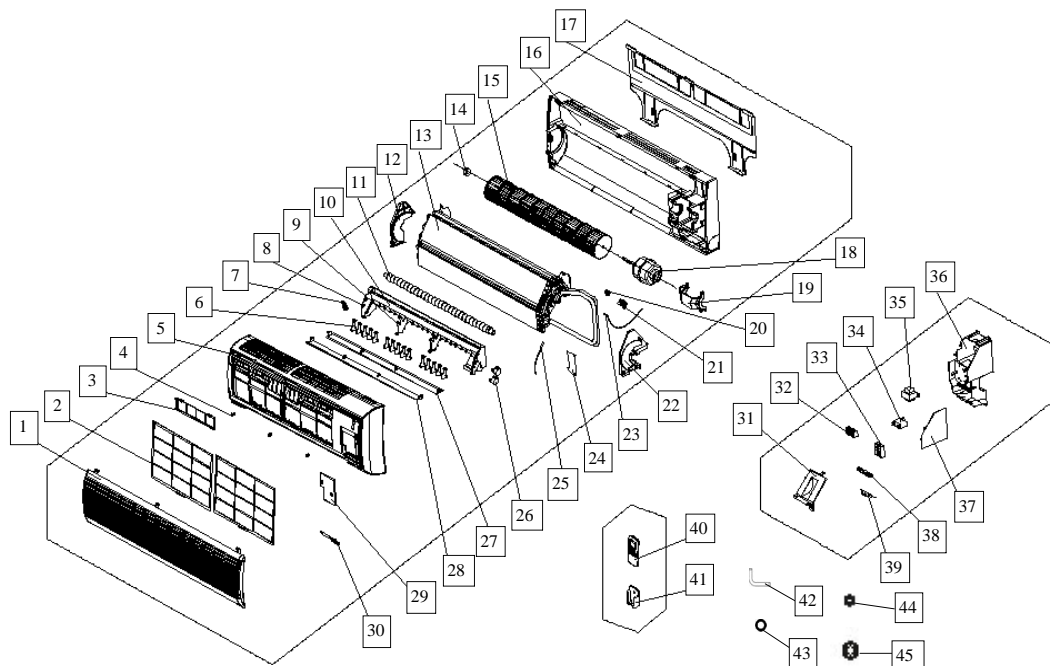
No.	Part Name	Quantity	Sale code	BOM code	Remark
1	Front panel	1	10318121201	2113139942	
2	Air filter	2	10318121202	2113101402	
3	Air cleaner	1	10109121226	2113010212	
	Air cleaner holder	1	10109121225	2113010217	
4	Panel frame	1	10318121203	2113020721	
5	Display panel	1	10418111001	2113020733	
6	Protector for temp sensor	1	10112121224	2113049002	
7	Clamp for temp sensor	1	10109121231	2113039070	
8	Horizontal louver , up	1	10318121205	2113020723	
9	Horizontal louver , down	1	10318121206	2113020724	
10	Louver motor	1	10321111062	2240020033	
11	Air out frame	1	10318121208	2113020725	
12	Left holder for evaporator	1	10318121210	2113131603	
13	Evaporator	1	10316121203	2153139023	
14	Bearing holder	1	10318121212	2273101401	
15	Cross flow fan, ass'y	1	10318121213	2113101401	
16	Left cover for chassis	1	10318121214	2113020726	
17	Chassis	1	10318121215	2113020728	
18	Installation plate	1	10318121216	2123101404	
19	Connecting pipe clamp	1	10318121217	2113101405	
20	Underlay for relay	1	10318121218	2113020801	
21	Right cover for chassis	1	10318121219	2113020727	
22	Protection box for relay	1	10318121220	2123020705	
23	Fan motor	1	10318121221	2240030401	
24	Motor cover	1	10318121222	2113101403	
25	Evaporator temp sensor	1	10109121242	2243069051	
26	Indoor temp sensor	1	10109121243	2243069052	
27	Drain hose	1	10318113022	2110102012	
28	Bush	2	10318121224	2113020729	
29	Louver	12	10318121225	2113020730	
30	Louver holder	2	10318121226	2113020731	
31	Connecting bar for louver	1	10318121227	2113020732	
32	E-part box cover	1	10318121228	2113139042	
33	Transformer	1	10109121204	2230099001	
34	E-parts box	1	11318113002	2113101410	
35	Main control board	1	10418111002	2133139015	
36	Display board , ass'y	1	10418111003	2333139123	
37	Display board enclosure	1	10318121233	2113020651	
38	Wire clamp for power cord	1	10318121234	2113040042	
39	Wire joint, 5p	1	10318111202	2243139114	
40	Wire clamp	1	10112121234	2113521303	
41	Holder, remote controller	1	10109121208	2115501001	
42	Remote controller	1	10109111203	2335509005	
43	Relay	1	11318111004	2230080071	
44	Switch board	1	10109121205	2133050080	
45	Connection pipe for drainage	1	11609121003	2110102011	
46	Sealing ring	1	31009321021	2272009001	
47	Copper nut, TLM-A01	1	10909121012	2160032000	
48	Copper nut, TLM-C03	1	10912121019	2160032002	

Exploded View Parts for Model 38KCE018708 220--240V,50Hz : Outdoor Unit



No.	Part Name	Quantity	Sale code	BOM code	Remark
1	Front net	1	10321111044	2123539011	
2	Clamp for front net	8	10112121801	2113511801	
3	Front clapboard	1	53618121801	2124550037	
4	Propeller fan	1	10118121804	2114550002	
5	Fan Motor	1	10318121801	2240041700	
6	Holder for fan motor	1	10118121809	2124550020	
7	Foam over holder for motor	1	10118121807	2224550001	
8	Front right clapboard	1	10118121803	2124551101	
9	Chassis	1	10118121806	2123530203	
10	Compressor	1	10318111804	2140021650	2V36S225BUA
11	Separating board	1	10312111849	2123549042	
12	Little Handle	1	10830121811	2115029006	
13	Cover	1	10118121827	2124550031	
14	Condenser	1	10318111801	2153530611	
15	Left clapboard	1	10924121808	2124550032	
16	Rear Net	1	10924121809	2114550004	
17	Rear right clapboard	1	10118113804	2123549024	
18	Big Handle	1	10118121817	2114550003	
19	Installation plate for valves	1	10118113805	2123500018	
20	Water collector	1	10118121832	2113529005	
21	Capacitor Clamp	1	10112121814	2120010002	
22	Compressor capacitor	1	12818111044	2240109057	
23	Fan motor capacitor	1	13607111808	2240119019	
24	Wire joint	1	10109111802	2230145014	
25	Washer for wire joint	1	10112121817	2113500004	
26	Clamp for wiring	1	10112121816	2121990001	
27	Installation board for E-parts	1	12818111054	2124550089	
28	High Pressure Valve Ass'y	1	10418111804	2163531553	
29	Liquid pipe valve	1	10118121830	2160074022	
30	Low Pressure Valve Ass'y	1	10312111879	2163780000	
31	Low Pressure Valve	1	10312121858	2160072117	
32	Copper nut, TLM-A01	1	10909121012	2160032000	
33	Copper nut, TLM-C03	1	10912121019	2160032002	

Exploded View Parts for Model 42KCE024708 220-240V, 50Hz : Indoor Unit



No.	Part Name	Quantity	Sale code	BOM code	Remark
1	Front panel	1	10321121003	2113079138	included in 2113079101
2	Air filter	2	10321111001	2113079047	
3	Air cleaner	1	10321111002	2113079097	
4	Screw cap	3	10321111003	2113079049	
5	Panel frame	1	10321121004	2113079139	included in 2113079101
6	Horizontal airflow grille	15	10321121005	2113079144	included in 2113079098
	Grille holder	3	10321121006	2113079145	included in 2113079098
7		1	10321121007	2273079002	included in 2113079098
8	Big bush	2	10321121008	2113079146	included in 2113079098
9	Small bush	4	10321121009	2113079147	included in 2113079098
10	Air out frame	1	10321121010	2113079141	included in 2113079098
11	Drain hose	1	10118121223	2110109002	
12	Left holder for evaporator	1	10321111004	2113079043	
13	Evaporator	1	10924121003	2153079031	
14	Bearing holder	1	10321111008	2273079001	
15	Cross flow fan, assy	1	10321111009	2110029010	
16	Chassis	1	10321111010	2113079099	
17	Installation Plate	1	10321111011	2123079017	
18	Fan motor	1	10321111012	2240040716	
19	Fixing part for motor	1	10321111013	2113079045	
20	Protector for temp sensor	1	10112121224	2113049002	
21	Clamp for temp sensor	1	10109121231	2113039070	
22	Right holder for evaporator	1	10321111014	2113079044	
23	Indoor temp sensor	1	10118121242	2230131010	
24	Connecting pipe clamp	1	10321111015	2123079016	
25	Evaporator temp sensor	1	10109121242	2243069051	
26	Louver motor	1	10105111047	2240020004	
27	Vertical airflow louver , down	1	10321121011	2113079143	included in 2113079098
28	Vertical airflow louver , up	1	10321121012	2113079142	included in 2113079098
29	Window cover for repairing	1	10318121011	2113079339	
30	Control assy	1	10321121013	2113079140	included in 2113079101
31	E-part box cover	1	10321111018	2113079048	
32	Terminal block	1	10121121227	2230145066	JX0-B6-D
33	Terminal block	1	10121121233	2230145027	RS9413B
34	Fan motor capacitor	1	50309121808	2240119015	2μF/450V
35	Transformer	1	10118121232	2230099003	
36	E-Parts box	1	10318121012	2113079340	

No.		Part Name	Quantity	Sale code	BOM code	Remark
37		Main control board	1	10321111020	2133079034	
38		Wire clamp for power cord	1	10121121234	2113070033	
39		Display board	1	10321111021	2133079016	
		Display board enclosure	1	10321111022	2113079104	
40		Remote controller	1	10109111203	2335509005	
41		Holder for remote controller	1	10109121208	2115501001	
42		Connection pipe for drainage	1	11609121003	2110102011	
43		Sealing ring	1	31009321021	2272009001	
44		Copper nut, TLM-B02	1	10909121013	2160032001	
45		Copper nut, TLM-D04	1	11324113804	2160032003	